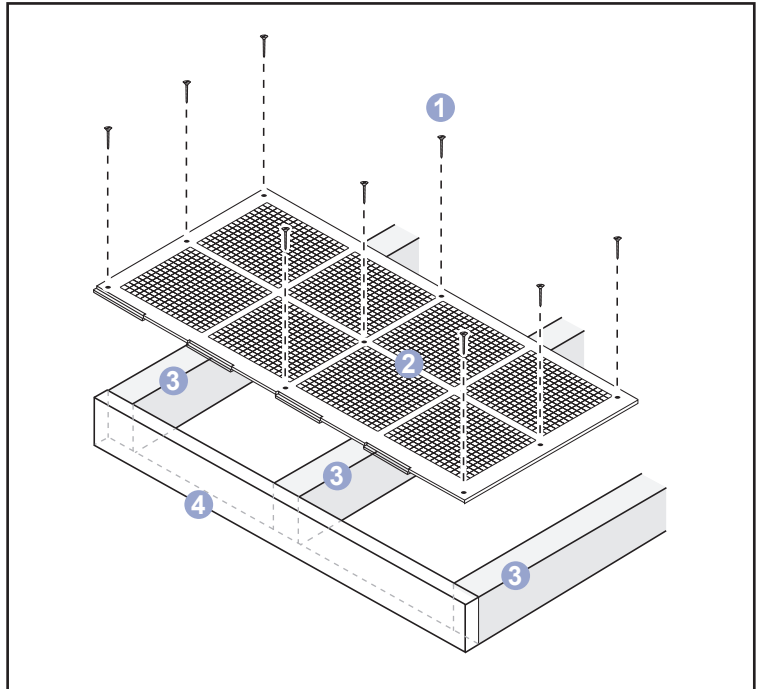


DURA-SLAT® POULTRY FLOORING SYSTEM

Manufacturer recommends storing product away from exposure to the sun, as its U.V. rays and other general weather conditions will diminish the life the product. Exposure to outside weather elements voids all warranties.

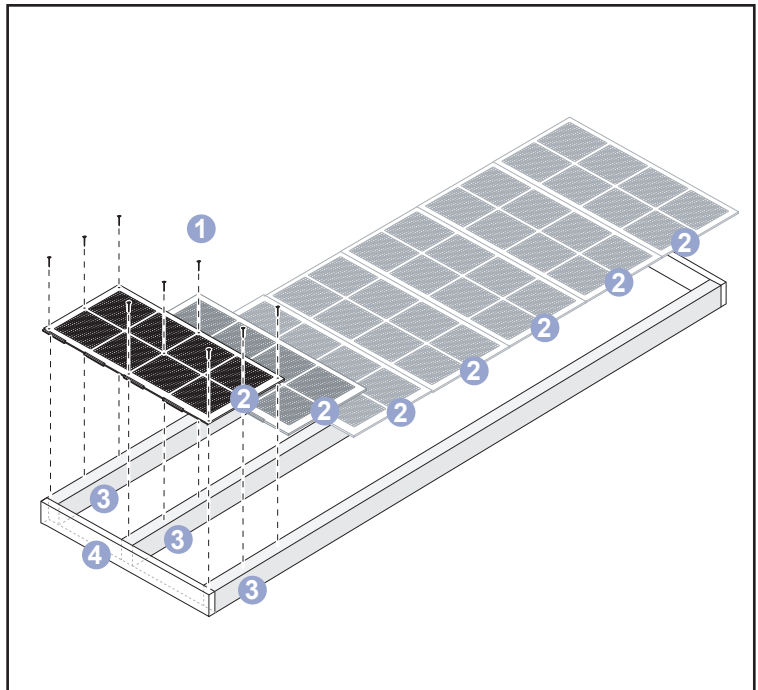
DURA-SLAT 4'x14' WOODEN POULTRY FRAME ASSEMBLY WITH ONE CENTER BRACE

1. #10 1-1/2" Stainless Steel Phillips Head Wood Screws (9 screws / slat)
2. DURA-SLAT Plastic Poultry Flooring 24"x48" Slat
3. Sides and Center Brace - 2" x 6" Pressure Treated Lumber
4. End Caps - 1" x 6" Pressure Treated Lumber



DURA-SLAT 4'x14' WOODEN POULTRY FRAME ASSEMBLY WITH ONE CENTER BRACE - 7 PCs / FRAME

1. #10 1-1/2" Stainless Steel Phillips Head Wood Screws (9 screws / slat)
2. DURA-SLAT Plastic Poultry Flooring 24"x48" Slat
3. Sides and Center Brace - 2" x 6" Pressure Treated Lumber
4. End Caps - 1" x 6" Pressure Treated Lumber



16400 Midway Road Dallas, Texas 75001 • Ph. 972-735-8866 Fx. 972-735-8896 • www.swapinc.com email: info@swapinc.com

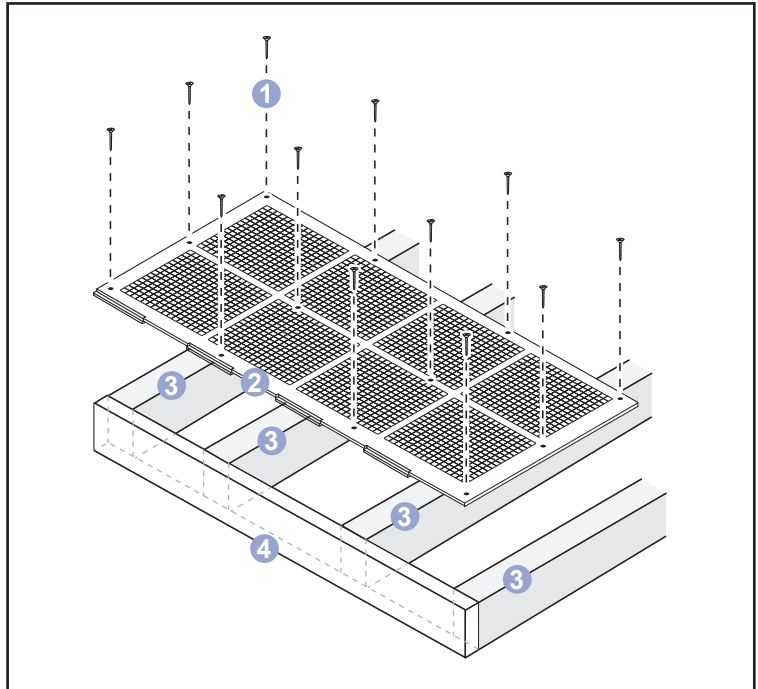
SOUTHWEST AGRI-PLASTICS, INC.®

DURA-SLAT® POULTRY FLOORING SYSTEM

Manufacturer recommends storing product away from exposure to the sun, as its U.V. rays and other general weather conditions will diminish the life the product. Exposure to outside weather elements voids all warranties.

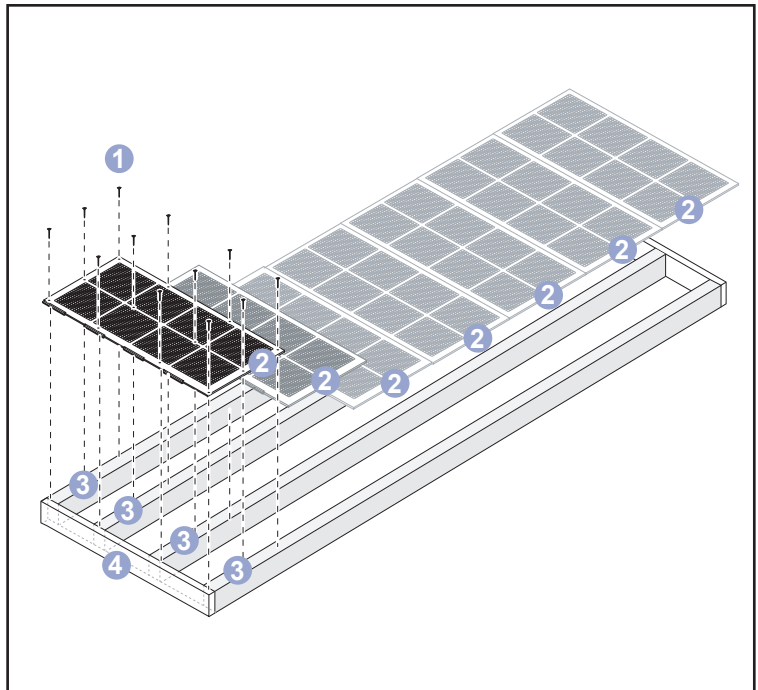
DURA-SLAT 4'x14' WOODEN POULTRY FRAME ASSEMBLY WITH TWO CENTER BRACES

1. #10 1-1/2" Stainless Steel Phillips Head Wood Screws (12 screws / slat)
2. DURA-SLAT Plastic Poultry Flooring 24"x48" Slat
3. Sides and Center Brace - 2" x 6" Pressure Treated Lumber
4. End Caps - 1" x 6" Pressure Treated Lumber



DURA-SLAT 4'x14' WOODEN POULTRY FRAME ASSEMBLY WITH TWO CENTER BRACES - 7 PCs / FRAME

1. #10 1-1/2" Stainless Steel Phillips Head Wood Screws (12 screws / slat)
2. DURA-SLAT Plastic Poultry Flooring 24"x48" Slat
3. Sides and Center Brace - 2" x 6" Pressure Treated Lumber
4. End Caps - 1" x 6" Pressure Treated Lumber



16400 Midway Road Dallas, Texas 75001 • Ph. 972-735-8866 Fx. 972-735-8896 • www.swapinc.com email:info@swapinc.com

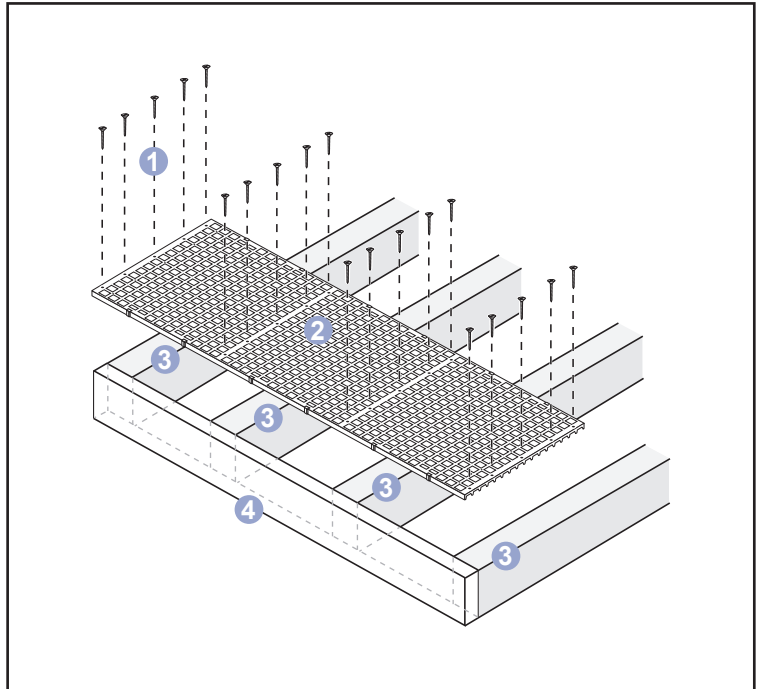
SOUTHWEST AGRI-PLASTICS, INC.®

DURA-SLAT® POULTRY FLOORING SYSTEM

Manufacturer recommends storing product away from exposure to the sun, as its U.V. rays and other general weather conditions will diminish the life the product. Exposure to outside weather elements voids all warranties.

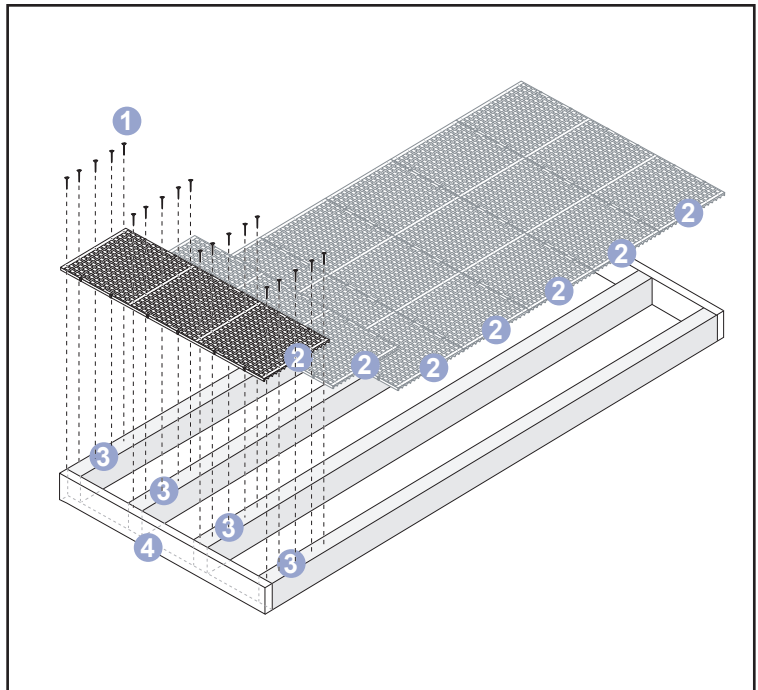
DURA-SLAT 5'x14' WOODEN POULTRY FRAME ASSEMBLY

1. #10 1-1/2" Stainless Steel Phillips Head Wood Screws (20 screws / slat)
2. DURA-SLAT Plastic Poultry Flooring 24"x60" Slat
3. Sides and Center Braces - 2" x 6" Pressure Treated Lumber
4. End Caps - 1" x 6" Pressure Treated Lumber



DURA-SLAT 5'x14' WOODEN POULTRY FRAME ASSEMBLY - 7 PCs / FRAME

1. #10 1-1/2" Stainless Steel Phillips Head Wood Screws (20 screws / slat)
2. DURA-SLAT Plastic Poultry Flooring 24"x60" Slat
3. Sides and Center Braces - 2" x 6" Pressure Treated Lumber
4. End Caps - 1" x 6" Pressure Treated Lumber



16400 Midway Road Dallas, Texas 75001 • Ph. 972-735-8866 Fx. 972-735-8896 • www.swapinc.com email: info@swapinc.com

SOUTHWEST AGRI-PLASTICS, INC.®