

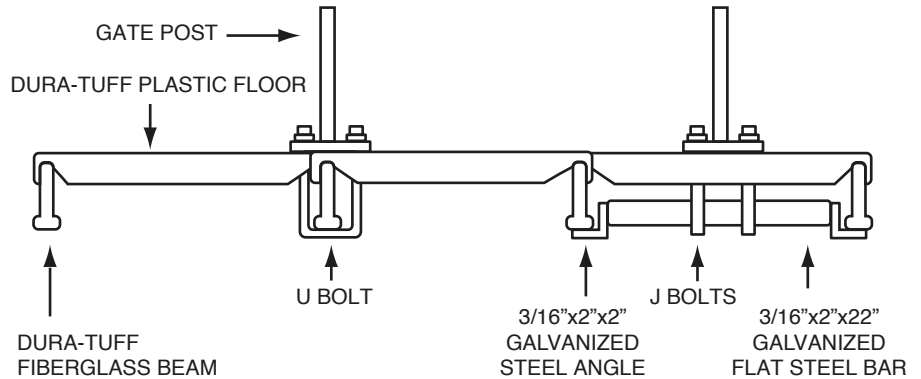
DURA-TUFF® Gate Post Mounting Options:

OPTION #1:

Mount U-Bolt underneath beam, up through flooring and bolt to post plate.

OPTION #2:

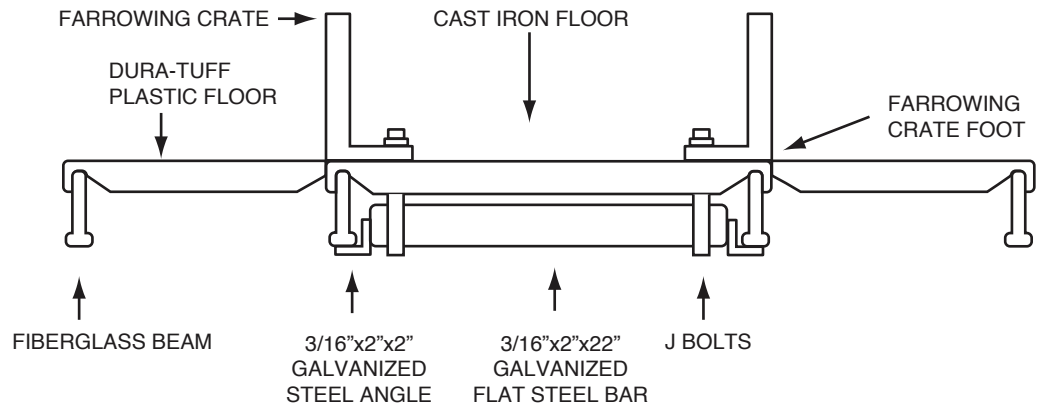
To mount post plate in center of Dura-Tuff floor, hook J-Bolt to the stabilizer bar pictured below or 1/2" solid steel rod placed underneath support beams through flooring and bolt to post plate.



DURA-TUFF® Farrowing Crate Mounting Option:

DIRECTIONS:

To mount farrowing crate to Dura-Tuff floor, hook J-Bolt to stabilizer bar pictured below or 1/2" solid steel rod placed underneath support beams up through flooring and bolt to farrowing crate foot.



TECHNICAL SPECIFICATIONS: FIBERGLASS SUPPORTS

- 5" (127mm) tall Dura-Tuff fiberglass support will clear span up to 10 ft. (3.36m) in nursery applications on 18" (45.74cm) spacing, up to 9 ft. (2.74m) in nursery applications on 24" (60.96cm) spacing, and up to 8 ft. (2.44m) in farrowing applications.
- 4" (101.6mm) tall Dura-Tuff fiberglass support will clear span up to 8 ft. (2.44m) in nursery applications on 18" (45.74cm) spacing and up to 7 ft. (2.14m) in nursery applications on 24" (60.96cm) spacing.
- 3" (72.6mm) tall Dura-Tuff fiberglass support will clear span up to 7 ft. (2.14m) in nursery applications on 18" (45.74cm) spacing, up to 6 ft. (1.83m) on nursery applications on 24" (60.96cm) spacing.
- 1-1/2" (38.1mm) tall Dura-Tuff fiberglass support will clear span up to 3 ft. (.92m) in nursery applications.

TECH. SPECS: STEEL SUPPORTS

- Spans up to 10 ft. (3.36m) use 3" (76mm) x 1/4" (6.35mm) steel beam.
- Spans over 11 ft. (3.36m) to 12 ft. (3.66m) use 4" (101.6mm) x 1/4" (6.35mm) steel beam.
- Spans over 12 ft. (3.66m) use 5" (127mm) x 1/4" (6.35mm) steel beam.